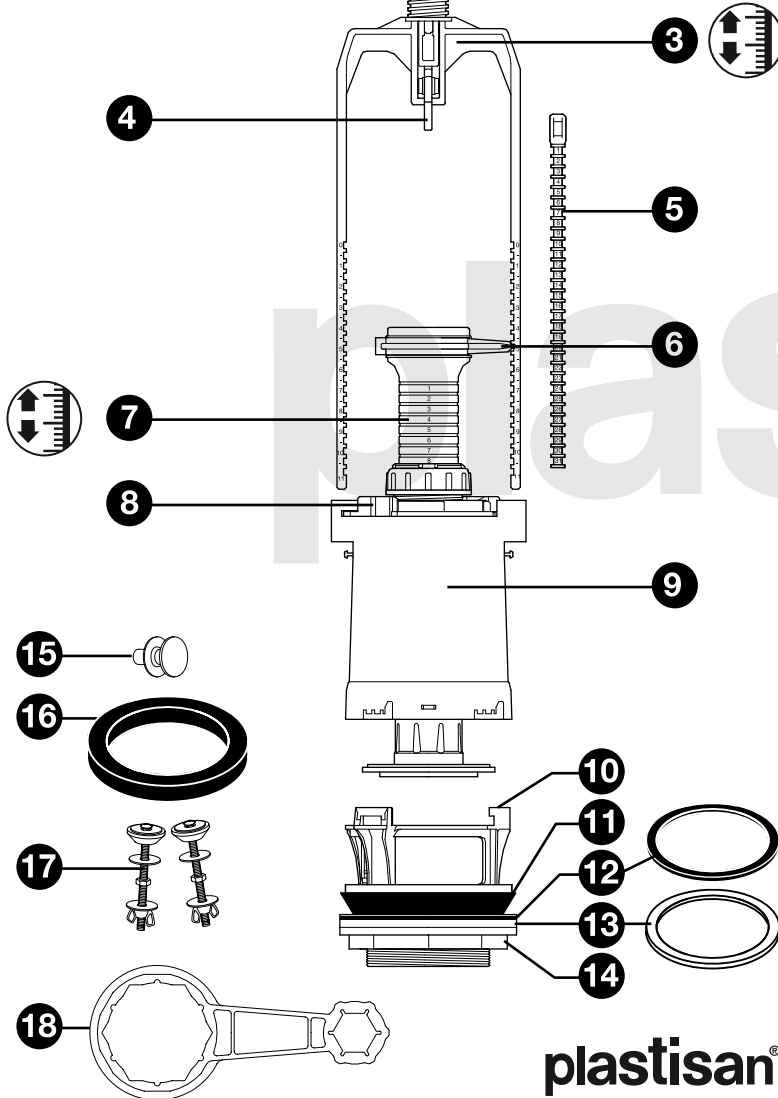
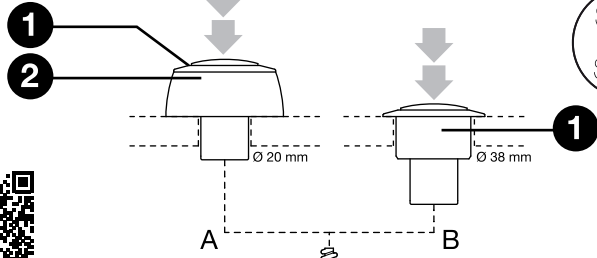


i



plastisan®
©20161103

W

